

8

7

6

5

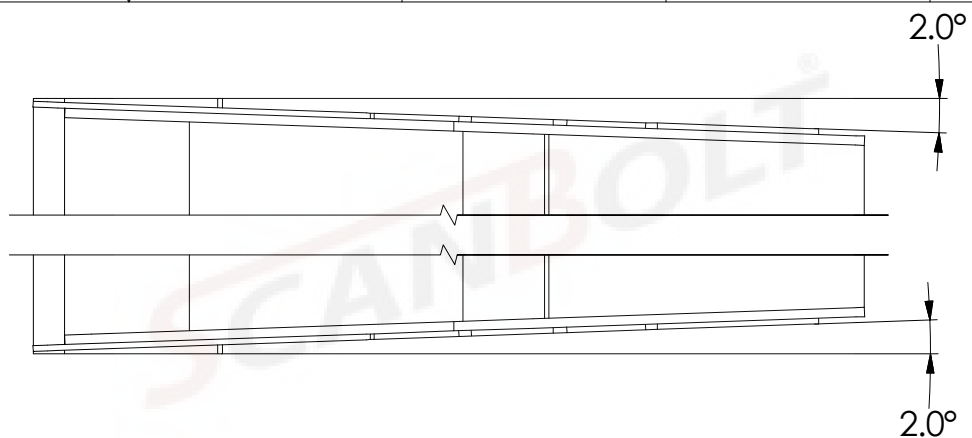
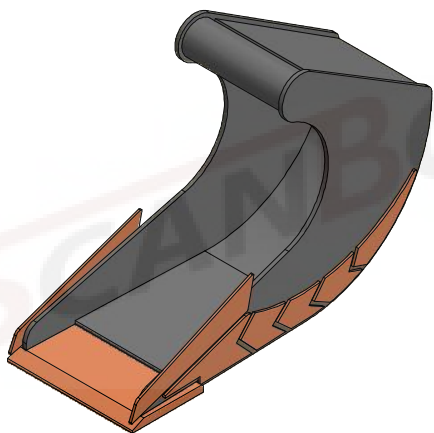
4

3

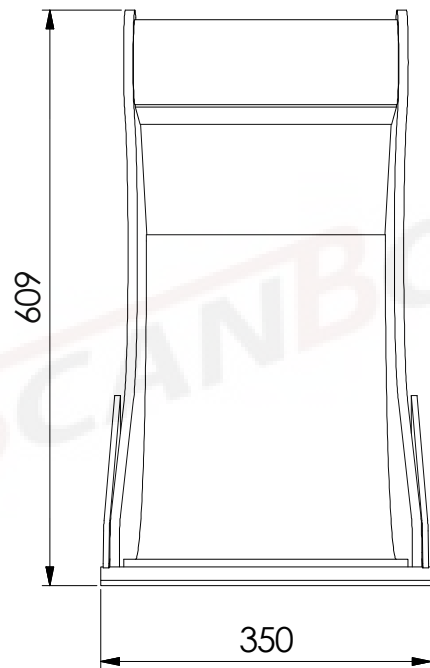
2

1

1

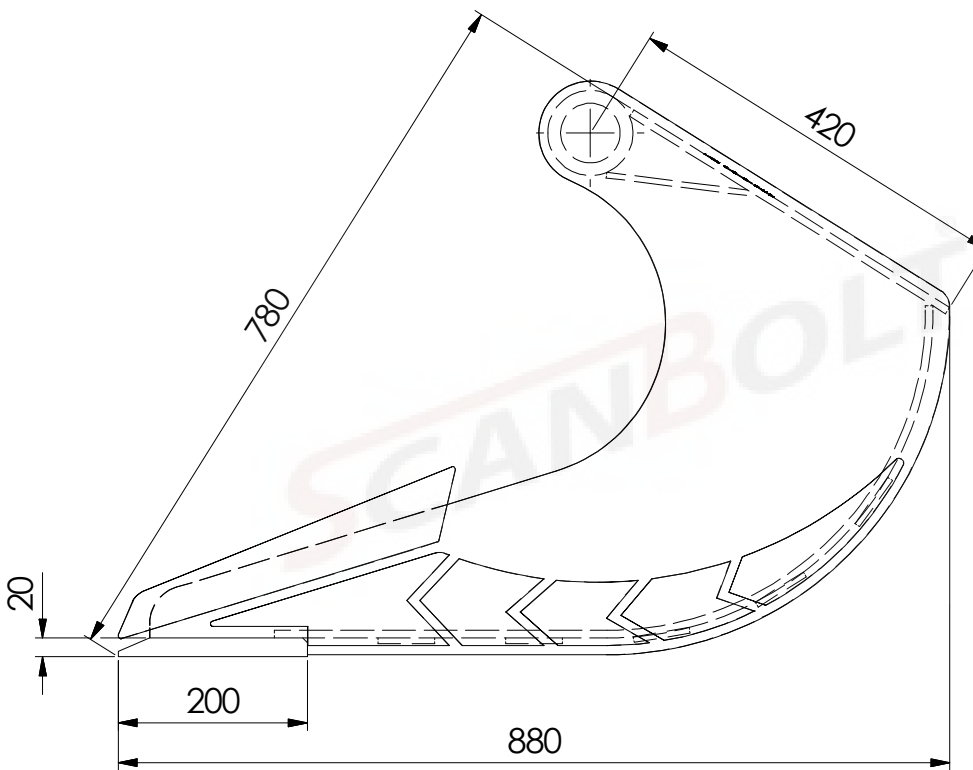


2.0°
2.0°



609

350



780

420

20

200

880

MATERIAL SPECIFICATION

ST52.3
EN8D
HB 400
HB 450
CASTALLOY STEEL

SCANBOLT

DESCRIPTION	35 CM CLAY BUCKET
MACHINE CLASS	5.0 - 7.5 TON
WEIGHT	84.5 Kg
HEAPED CAPACITY	92.1 Liters

8

7

6

5

4

3

2

1

1